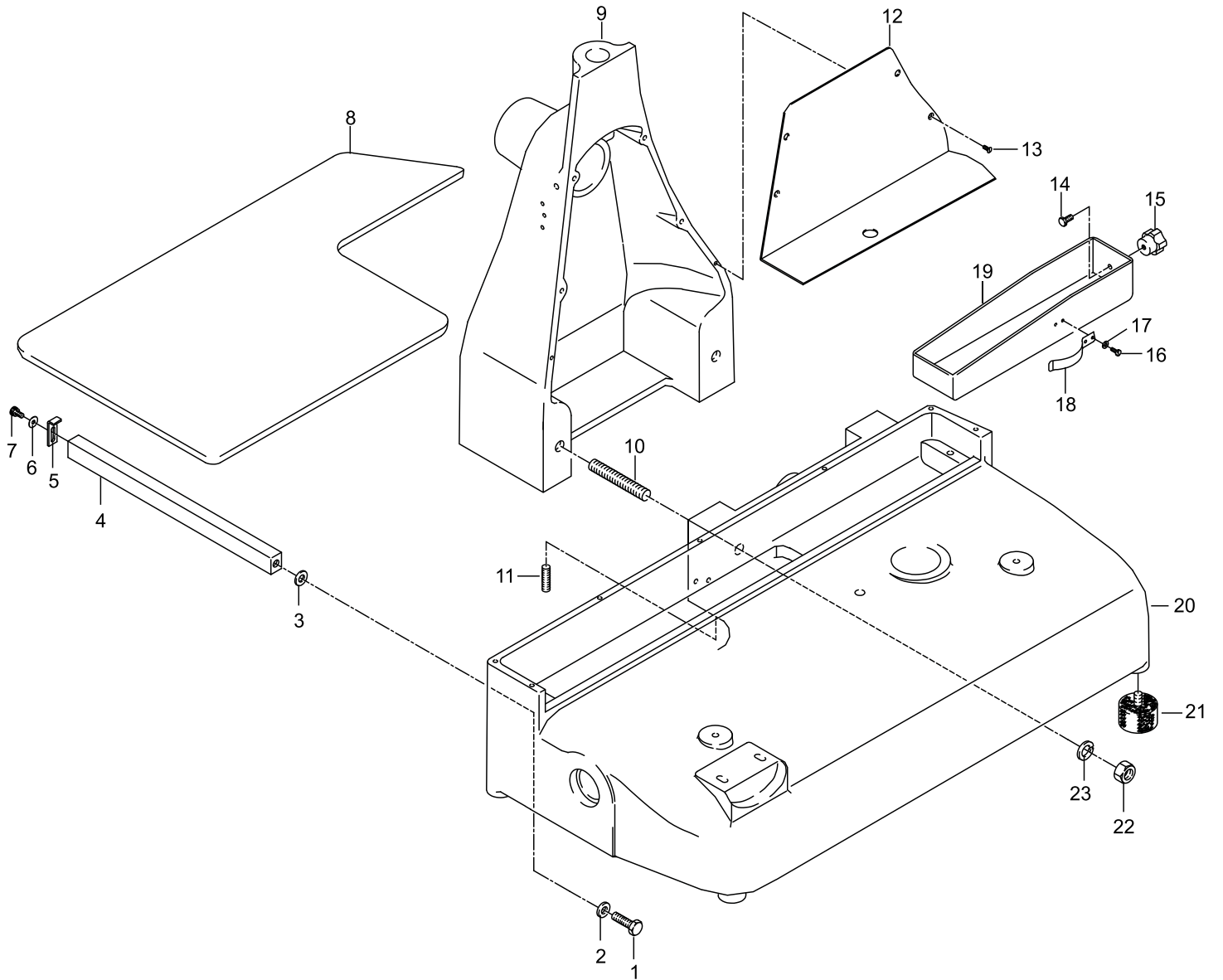


Parts Breakdown

Model MS-IT-0370-MF 20387

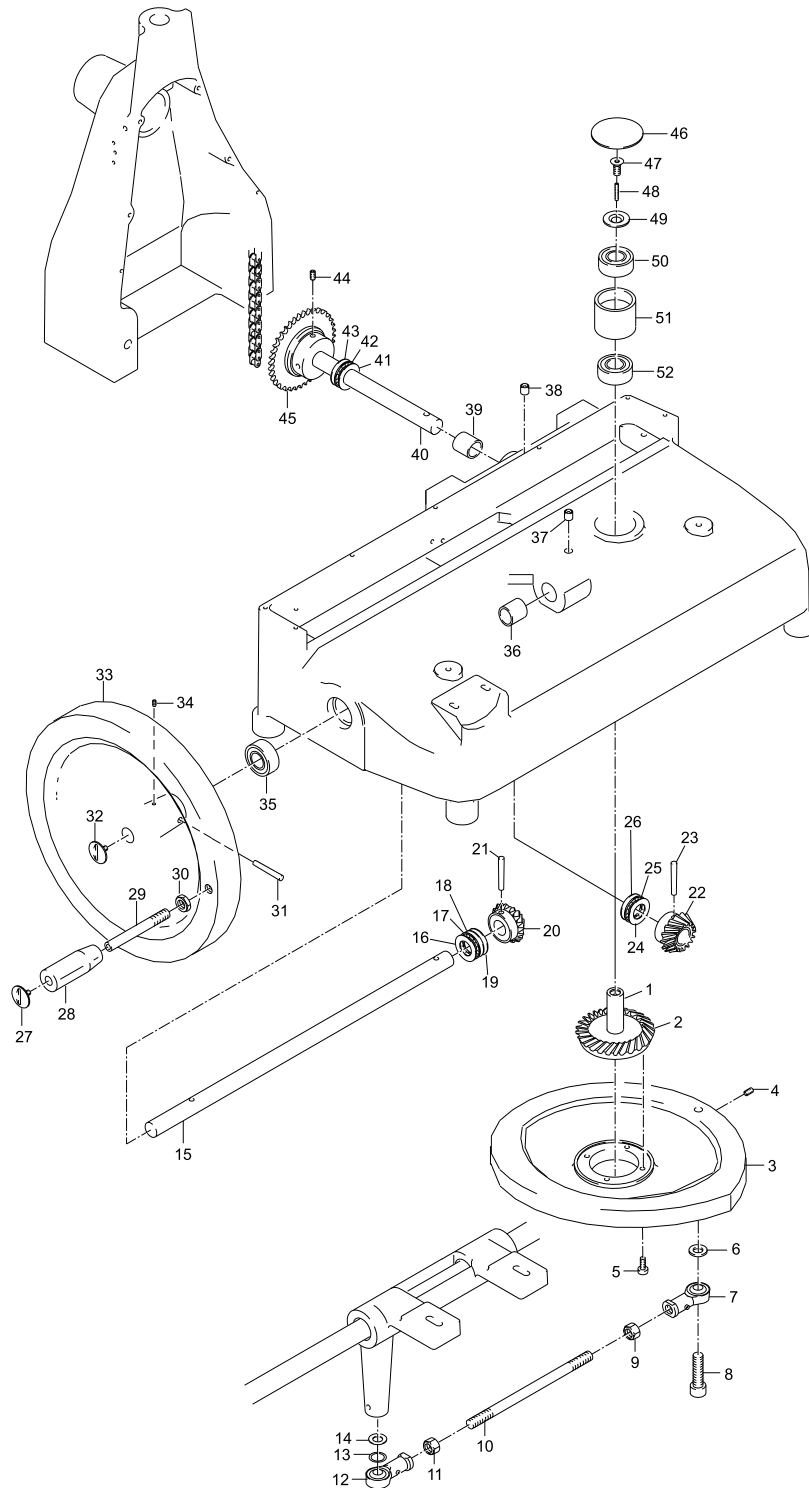
Stand



Parts Breakdown

Model MS-IT-0370-MF 20387

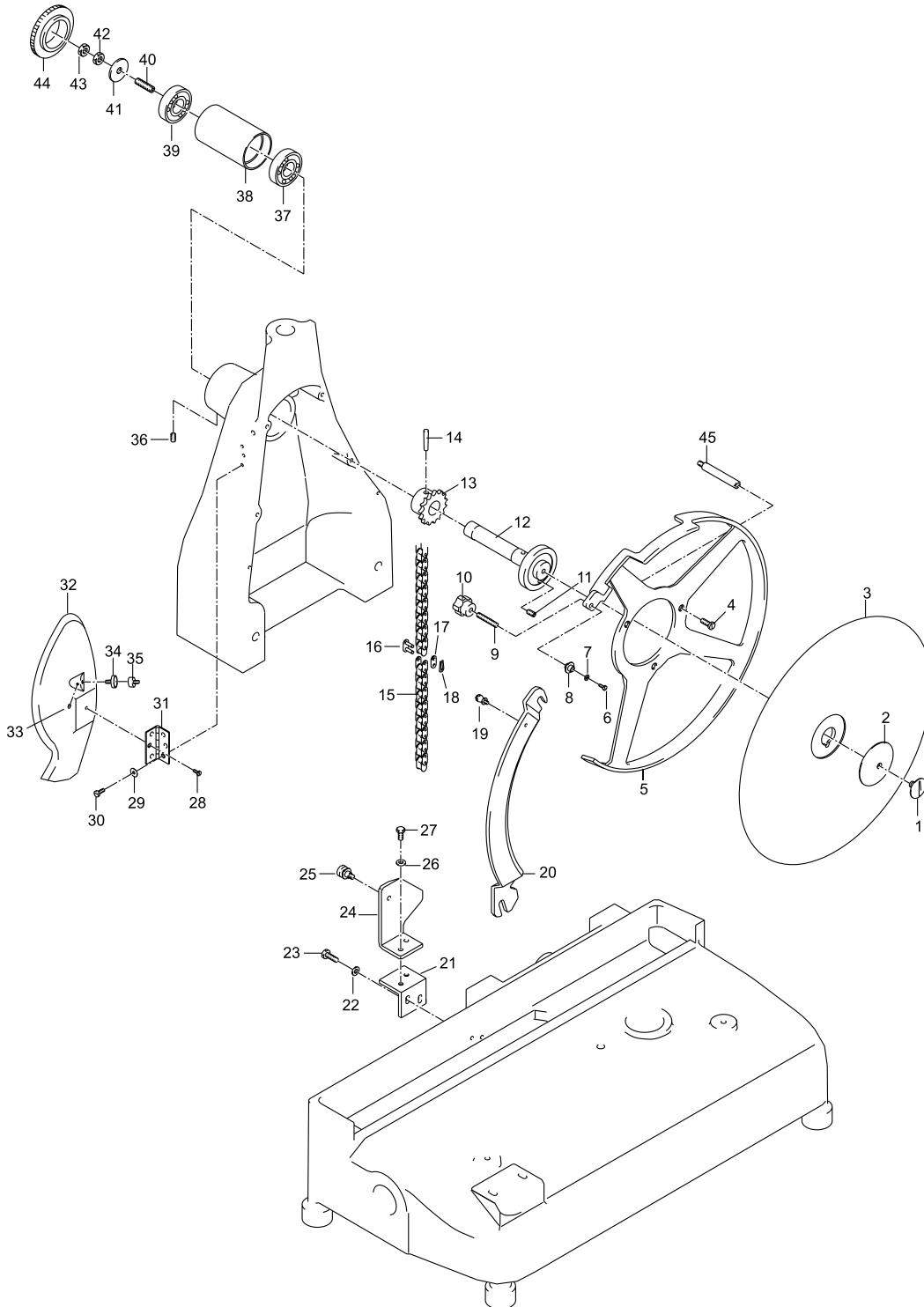
Flywheel



Parts Breakdown

Model MS-IT-0370-MF 20387

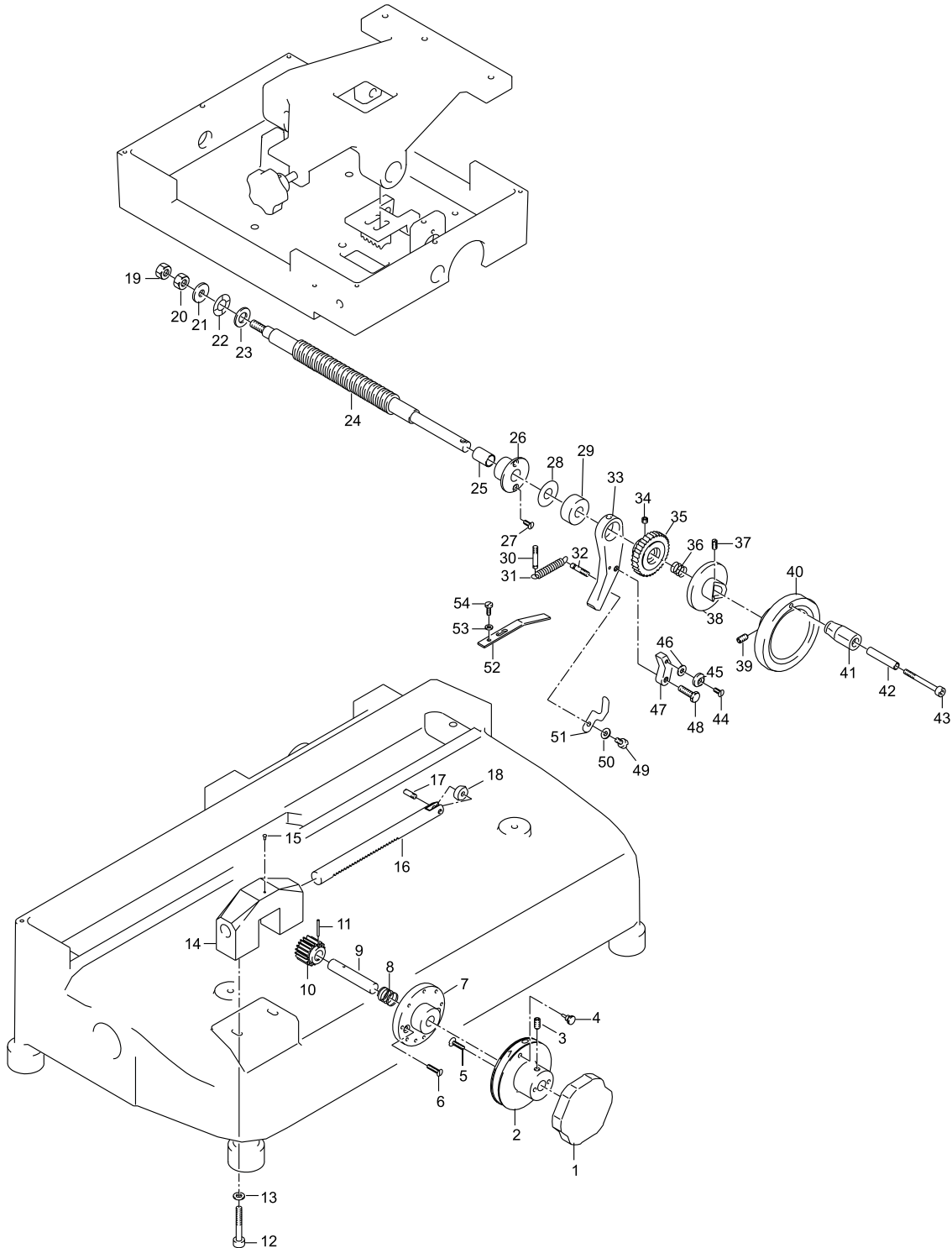
Blade Assembly



Parts Breakdown

Model MS-IT-0370-MF 20387

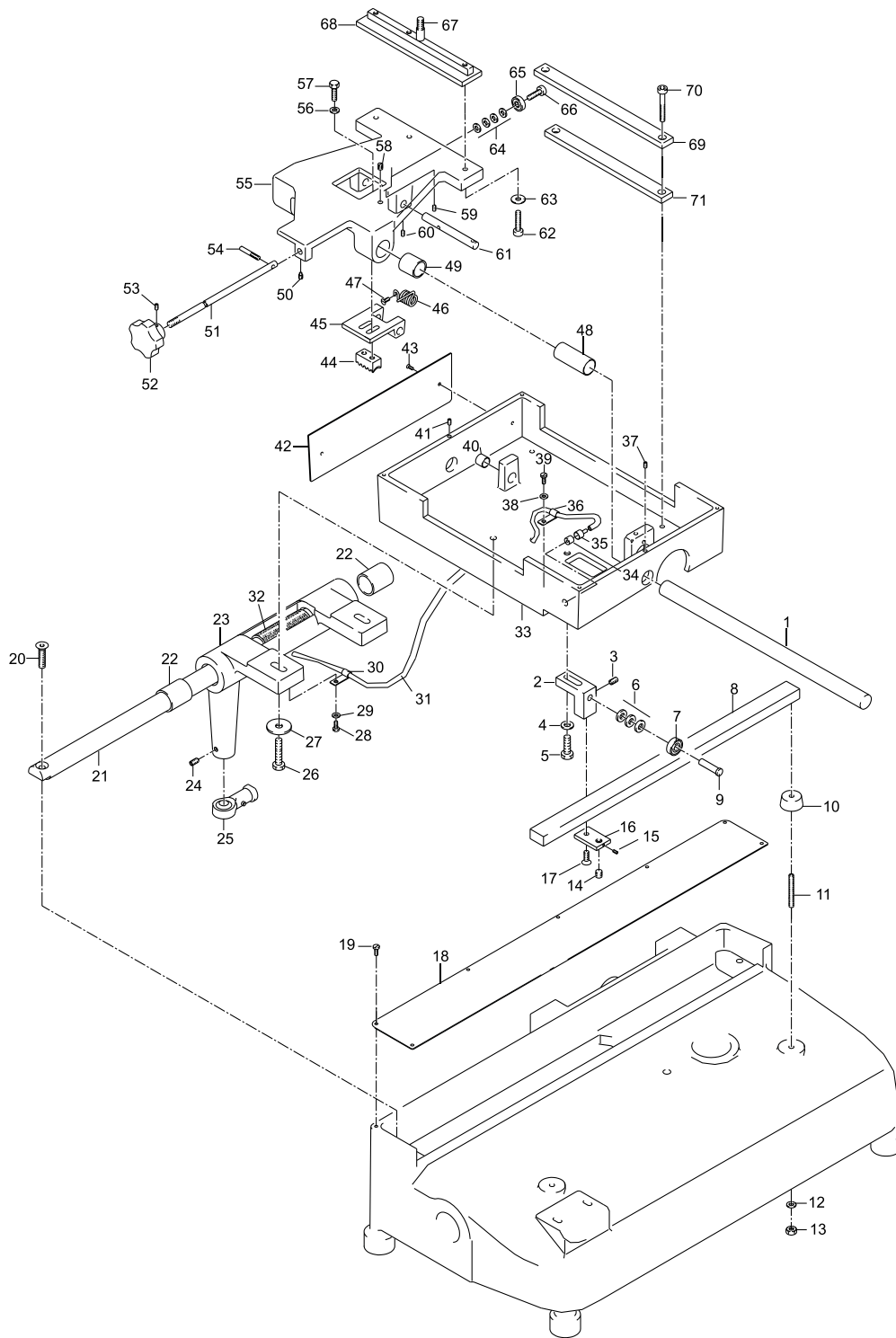
Advancement Cart



Parts Breakdown

Model MS-IT-0370-MF 20387

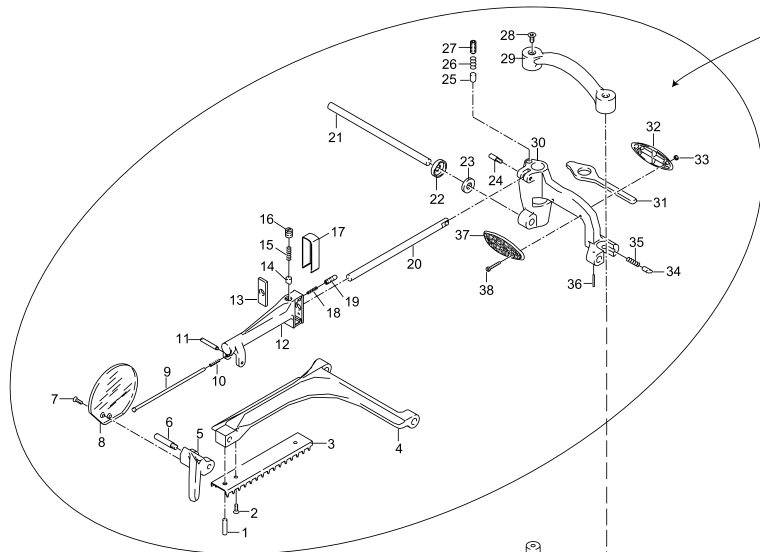
Cart



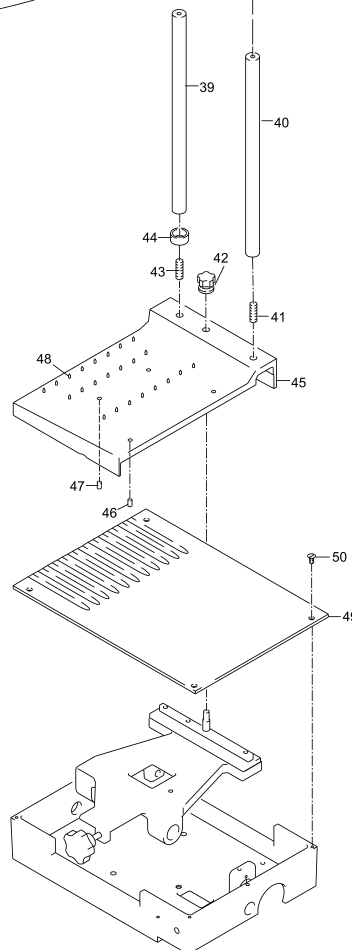
Parts Breakdown

Model MS-IT-0370-MF 20387

Meat Tray Assembly



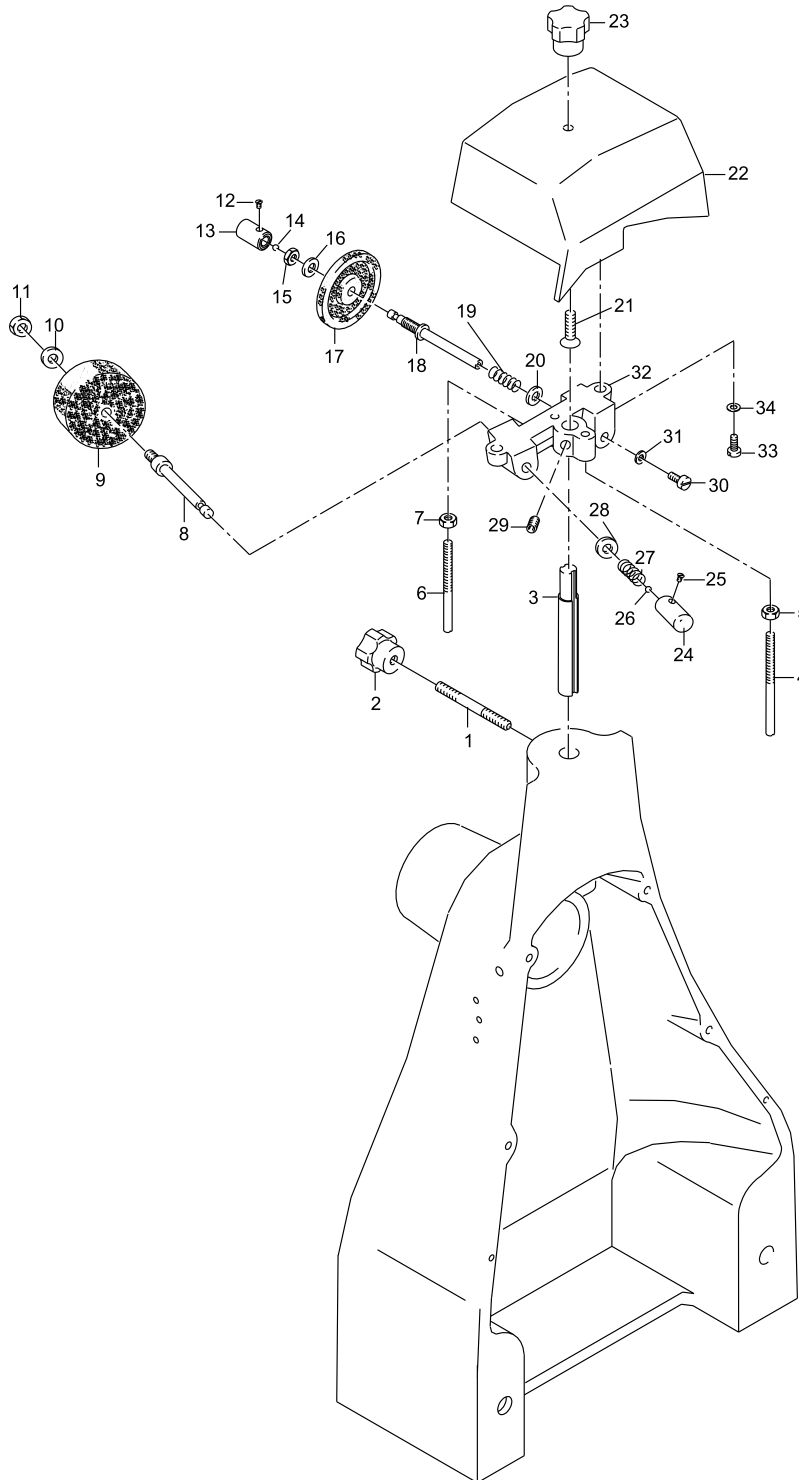
Sold Complete
(33818)



Parts Breakdown

Model MS-IT-0370-MF 20387

Sharpening Assembly

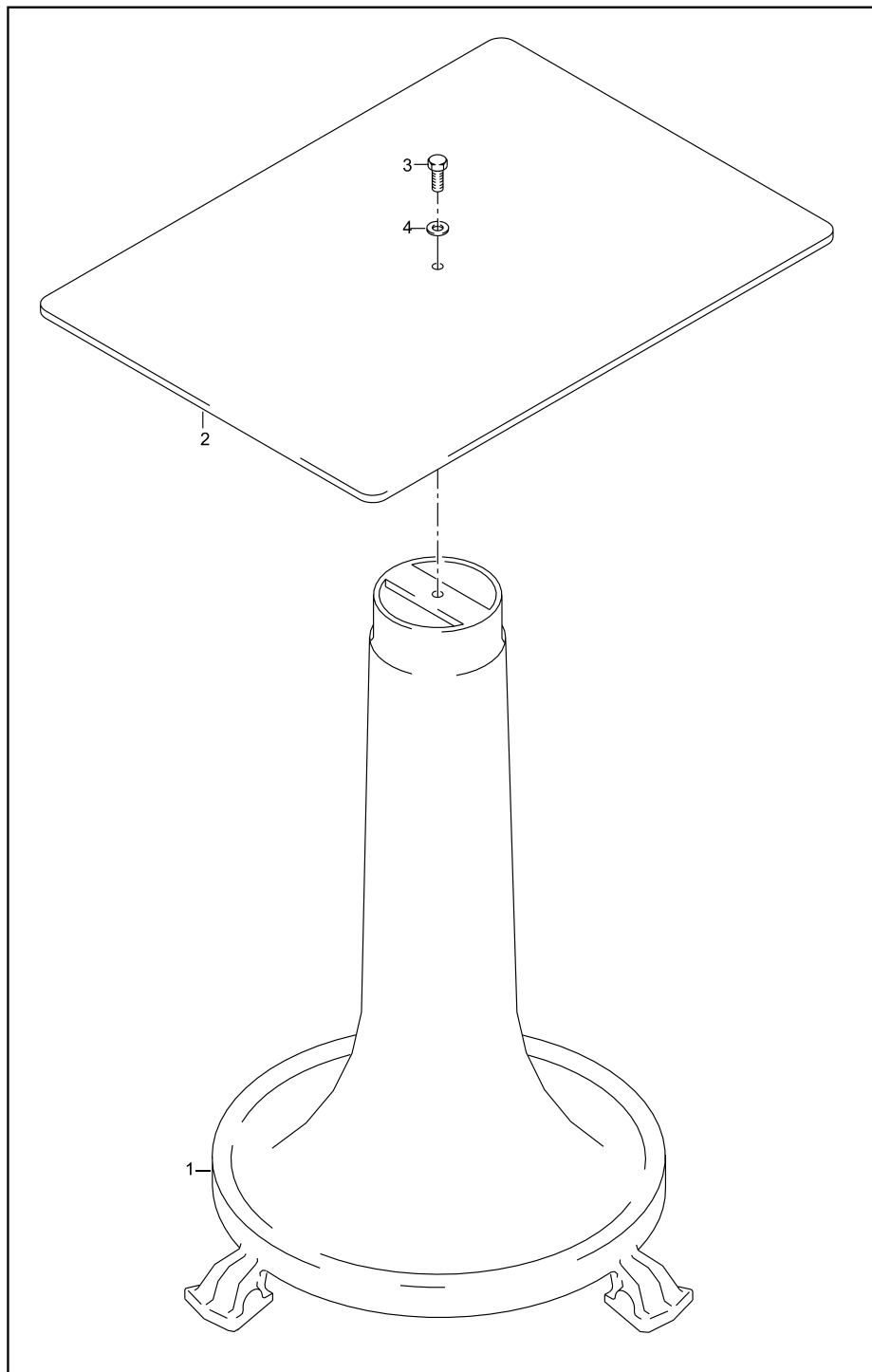


Parts Breakdown

Model **MS-IT-0370-MF** 20387

Support Stand

Sold Complete



Parts Breakdown

Model MS-IT-0370-MF 20387

Stand

Item No.	Description	Position	Item No.	Description	Position	Item No.	Description	Position
33572	Screw TE for 20387	1	33580	Blade Assembly Casing for 20387	9	33588	Washer for 20387	17
33573	Washer for 20387	2	33581	Pin for 20387	10	33589	Spring for 20387	18
33574	Washer for 20387	3	33582	Pin for 20387	11	33590	Tray for 20387	19
33575	Square Bar Support for Plate for 20387	4	33583	Chain Guard for 20387	12	33591	Housing for 20387	20
33576	Plate Stop for 20387	5	33584	Screw for 20387	13	33592	Foot for 20387	21
33577	Washer for 20387	6	33585	Screw for 20387	14	33593	Nut for 20387	22
33578	Screw for 20387	7	33586	Thumb Screw for 20387	15	33594	Washer for 20387	23
33579	Tray for 20387	8	33587	Screw for 20387	16			

Flywheel

Item No.	Description	Position	Item No.	Description	Position	Item No.	Description	Position
33595	Gear Pivot for 20387	1	33612	Axial Bearing for 20387	18	33629	Bearing for 20387	35
33596	Gear for 20387	2	33613	Axial Bearing for 20387	19	33631	Oiler for 20387	37
33597	Rod / Counter for 20387	3	33614	Gear for 20387	20	33632	Oiler for 20387	38
33598	Set Screw for 20387	4	33615	Tapped Pin for 20387	21	33633	Bushing for 20387	39
33599	Screw for 20387	5	33616	Gear for 20387	22	33634	Gear Shaft for 20387	40
33600	Washer for 20387	6	33617	Tapped Pin for 20387	23	33635	Axial Bearing for 20387	41
33601	Joint for 20387	7	33618	Axial Bearing for 20387	24	33636	Axial Bearing for 20387	42
33602	Screw for 20387	8	33619	Axial Bearing for 20387	25	33637	Axial Bearing for 20387	43
33603	Nut for 20387	9	33620	Axial Bearing for 20387	26	33638	Set Screw for 20387	44
33604	Pin for 20387	10	33621	Screw Chrome for 20387	27	33639	Gear for 20387	45
33605	Nut for 20387	11	33622	Meat Grip Handle for 20387	28	33640	Cap for 20387	46
33606	Joint for 20387	12	33623	Pin for 20387	29	33641	Screw for 20387	47
33607	Washer for 20387	13	33624	Nut for 20387	30	33642	Pin for 20387	48
33608	Washer for 20387	14	33625	Tapped Pin for 20387	31	33643	Washer for 20387	49
33609	Carriage Slide Bar for 20387	15	33626	Screw Chrome for 20387	32	33644	Bearing for 20387	50
33610	Axial Bearing for 20387	16	41426	Flower Fly Wheel for 20387	33	33645	Spacer for 20387	51
33611	Axial Bearing for 20387	17	33628	Set Screw for 20387	34	33646	Bearing for 20387	52

Parts Breakdown

Model MS-IT-0370-MF 20387

Blade Assembly

Item No.	Description	Position	Item No.	Description	Position	Item No.	Description	Position
33647	Screw Chrome for 20387	1	33662	Chain Link for 20387	16	33677	Hinge for 20387	31
33648	Blade Washer for 20387	2	33663	Chain Link for 20387	17	33678	Meat Defector for 20387	32
16653	Blade mm.370/57/4/300 Lip 1" for 20387	3	33664	Chain Link for 20387	18	33679	Set Screw for 20387	33
33650	Screw TC 5x10 for 20387	4	33665	Thumb Screw for 20387	19	33680	Screw for 20387	34
33651	Bladering Guard for 20387	5	33666	Blade Guard for 20387	20	33681	Screw for 20387	35
33652	Screw for 20387	6	33667	Bracket for 20387	21	33682	Set Screw for 20387	36
33653	Washer for 20387	7	33668	Washer for 20387	22	33683	Bearing for 20387	37
33654	Spacer for 20387	8	33669	Screw for 20387	23	33684	Bearing Sleeve for 20387	38
33655	Set Screw for 20387	9	33670	Bracket for 20387	24	33685	Bearing for 20387	39
33656	Thumb Screw for 20387	10	33671	Screw for 20387	25	33686	Pin for 20387	40
33657	Set Screw for 20387	11	33672	Washer for 20387	26	33687	Washer for 20387	41
33658	Bearing and Shaft for 20387	12	33673	Screw for 20387	27	33688	Nut for 20387	42
33659	Gear Pig Z 15 for 20387	13	33674	Screw for 20387	28	33689	Nut for 20387	43
33660	Tapered Pin for 20387	14	33675	Washer for 20387	29	33690	Blade Shaft Cap for 20387	44
33661	Chain for 20387	15	33676	Screw for 20387	30	37437	Pin for 20387	45

Advancement Cart

Item No.	Description	Position	Item No.	Description	Position	Item No.	Description	Position
33764	Index Knob for 20387	1	33782	Nut for 20387	19	33800	Set Screw for 20387	37
33765	Indicator Numbers for 20387	2	33783	Nut for 20387	20	33801	Wheel Plate for 20387	38
33766	Set Screw for 20387	3	33784	Washer for 20387	21	33802	Set Screw for 20387	39
33767	Screw for 20387	4	33785	Wavy Washer for 20387	22	33803	Fly Wheel for 20387	40
33768	Screw for 20387	5	33786	Washer for 20387	23	33804	Handle for 20387	41
33769	Screw for 20387	6	33787	Feed Screw Shaft for 20387	24	33805	Pin for 20387	42
33770	Cam for 20387	7	33788	Bushing for 20387	25	33806	Socket Head Screw for 20387	43
33771	Spring for 20387	8	33789	Feed Screw Bushing for 20387	26	33807	Screw for 20387	44
33772	Pin for 20387	9	33790	Screw for 20387	27	33808	Nut for 20387	45
33773	Gear for 20387	10	33791	Washer for 20387	28	33809	Washer for 20387	46
33774	Tapered Pin for 20387	11	33792	Spacer for 20387	29	33810	Small Skip Latch for 20387	47
33775	Screw for 20387	12	33793	Pin for 20387	30	33811	Screw for 20387	48
33776	Washer for 20387	13	33794	Spring for 20387	31	33812	Screw for 20387	49
33777	Index Mount for 20387	14	33795	Pin for 20387	32	33813	Washer for 20387	50
33778	Rivet for 20387	15	33796	Large Skip Latch for 20387	33	33814	Spring for 20387	51
33779	Cam Pin for 20387	16	33797	Set Screw for 20387	34	33815	Spring for 20387	52
33780	Set Screw for 20387	17	33798	Gear for 20387	35	33816	Washer for 20387	53
33781	Bearing PVC for 20387	18	33799	Spring for 20387	36	33817	Screw for 20387	54

Parts Breakdown

Model MS-IT-0370-MF 20387

Cart

Item No.	Description	Position	Item No.	Description	Position	Item No.	Description	Position
33691	Rod for 20387	1	33716	Screw for 20387	26	33741	Rod for 20387	51
33692	Sharpener Support Bracket for 20387	2	33717	Washer for 20387	27	33742	Knob for 20387	52
33693	Set Screw for 20387	3	33718	Screw for 20387	28	33743	Set Screw for 20387	53
33694	Washer for 20387	4	33719	Washer for 20387	29	33744	Pin for 20387	54
33695	Screw for 20387	5	33720	Wire Bracket for 20387	30	33745	Slide for 20387	55
33696	Washer for 20387	6	33721	Cable for 20387	31	33746	Washer for 20387	56
33697	Bearing for 20387	7	33722	Wick for 20387	32	33747	Screw for 20387	57
33698	Carriage Rail for 20387	8	33723	Plate Base for 20387	33	33748	Set Screw for 20387	58
33699	Pin for 20387	9	33724	Screw for 20387	34	33749	Set Screw for 20387	59
33700	Foot for 20387	10	33725	Screw for 20387	35	33750	Set Screw for 20387	60
33701	Pin for 20387	11	33726	Wire Bracket for 20387	36	33751	Tapped Pin for 20387	61
33702	Washer for 20387	12	33727	Set Screw for 20387	37	33752	Screw for 20387	62
33703	Nut for 20387	13	33728	Washer for 20387	38	33753	Washer for 20387	63
33704	Set Screw for 20387	14	33729	Screw for 20387	39	33754	Washer for 20387	64
33705	Set Screw for 20387	15	33730	Bushing for 20387	40	33755	Bearing for 20387	65
33706	Flat Bracket for 20387	16	33731	Set Screw for 20387	41	33756	Pin for 20387	66
33707	Screw for 20387	17	33732	Bottom Plate Cover for 20387	42	33757	Pin for 20387	67
33708	Slide Bar Cover for 20387	18	33733	Screw for 20387	43	33758	Mount for 20387	68
33709	Screw for 20387	19	33734	Comb Block for 20387	44	33759	Plate for 20387	69
33710	Screw for 20387	20	33735	Support Mount for 20387	45	33760	Screw for 20387	70
33711	Carriage Slide Bar for 20387	21	33736	Spring for 20387	46	33761	Plate for 20387	71
33712	Bushing for 20387	22	33737	Screw for 20387	47	33762	Washer for 20387	73
33713	Carriage Support for 20387	23	33738	Bushing for 20387	48	33763	Washer for 20387	74
33714	Set Screw for 20387	24	33739	Bushing for 20387	49			
33715	Joint for 20387	25	33740	Set Screw for 20387	50			

Meat Tray Assembly

Item No.	Description	Position	Item No.	Description	Position	Item No.	Description	Position
33818	Complete Arm Assembly for 20387	1 - 38	33823	Set Screw for 20387	43	33827	Set Screw for 20387	47
33819	Column for 20387	39 - 40	33824	Spacer for 20387	44	33828	Steel Pin for 20387	48
33821	Set Screw for 20387	41	33825	Top Plate for 20387	45	33829	Bottom Plate for 20387	49
33822	Tightening Knob for 20387	42	33826	Set Screw for 20387	46	33830	Screw for 20387	50



Parts Breakdown

Model MS-IT-0370-MF 20387

Sharpening Assembly

Item No.	Description	Position	Item No.	Description	Position	Item No.	Description	Position
33831	Pin for 20387	1	33843	Sharpener Push Button for 20387	13	33855	Push Button Screw for 20387	25
33832	Knob for 20387	2	33844	Ball Bearing for 20387	14	33856	Ball Bearing for 20387	26
33833	Shaft for Sharpener for 20387	3	33845	Nut for 20387	15	33857	Spring for 20387	27
33834	Pin for 20387	4	33846	Washer for 20387	16	33858	Washer for 20387	28
33835	Nut for 20387	5	33545	45x13x6 Sharpening Stone for 20387	17	33859	Set Screw for 20387	29
33836	Pin for 20387	6	33848	Sharpener Pin for 20387	18	33860	Screw for 20387	30
33837	Nut for 20387	7	33849	Spring for 20387	19	33861	Washer for 20387	31
33838	Sharpener Pin for 20387	8	33850	Washer for 20387	20	33862	Sharpener Body for 20387	32
18016	Omcan G Stone 50x08x06 for 20387	9	33851	Screw for 20387	21	33863	Screw for 20387	33
33840	Washer for 20387	10	33852	Sharpener Cover for 20387	22	33864	Washer for 20387	34
33841	Nut for 20387	11	33853	Sharpener Cover Knob for 20387	23			
33842	Push Button Screw for 20387	12	33854	Sharpener Push Button for 20387	24			

Support Stand

Item No.	Description	Position
33865	Pedestal Base for 20387	1 - 4